

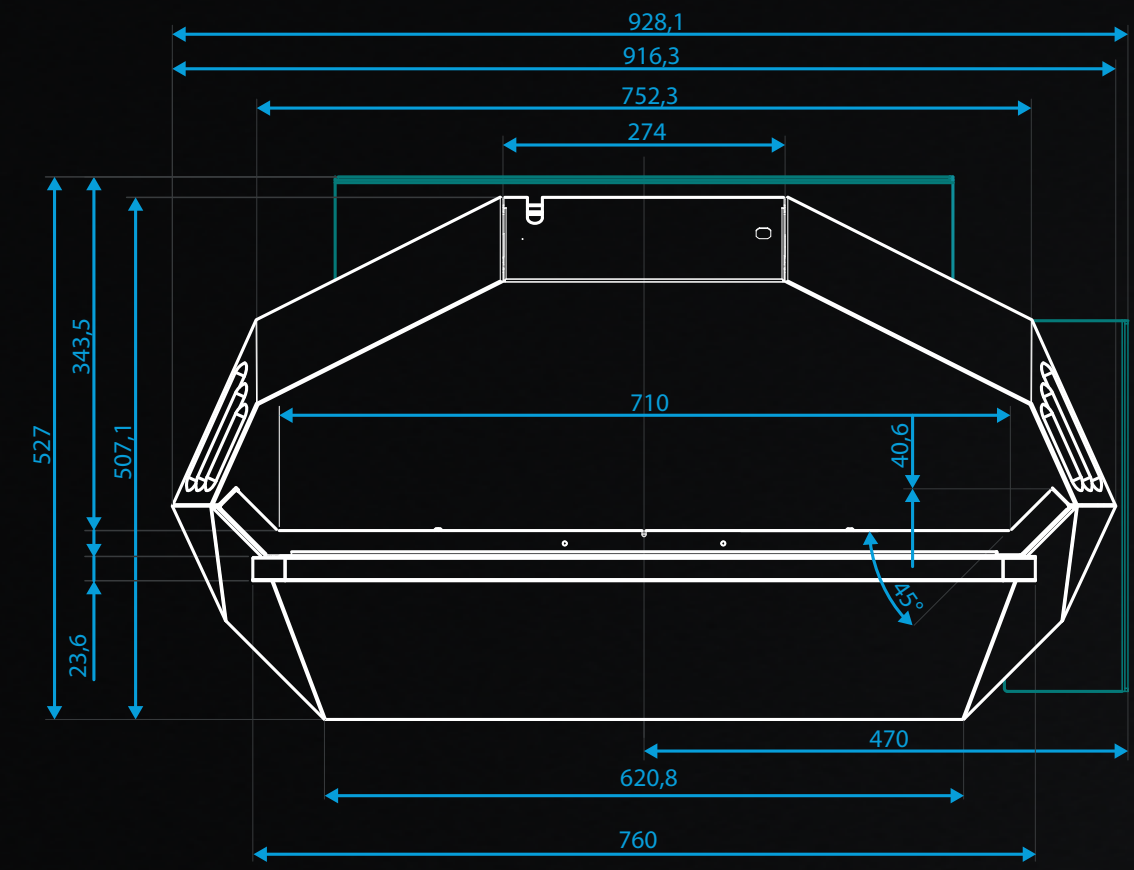
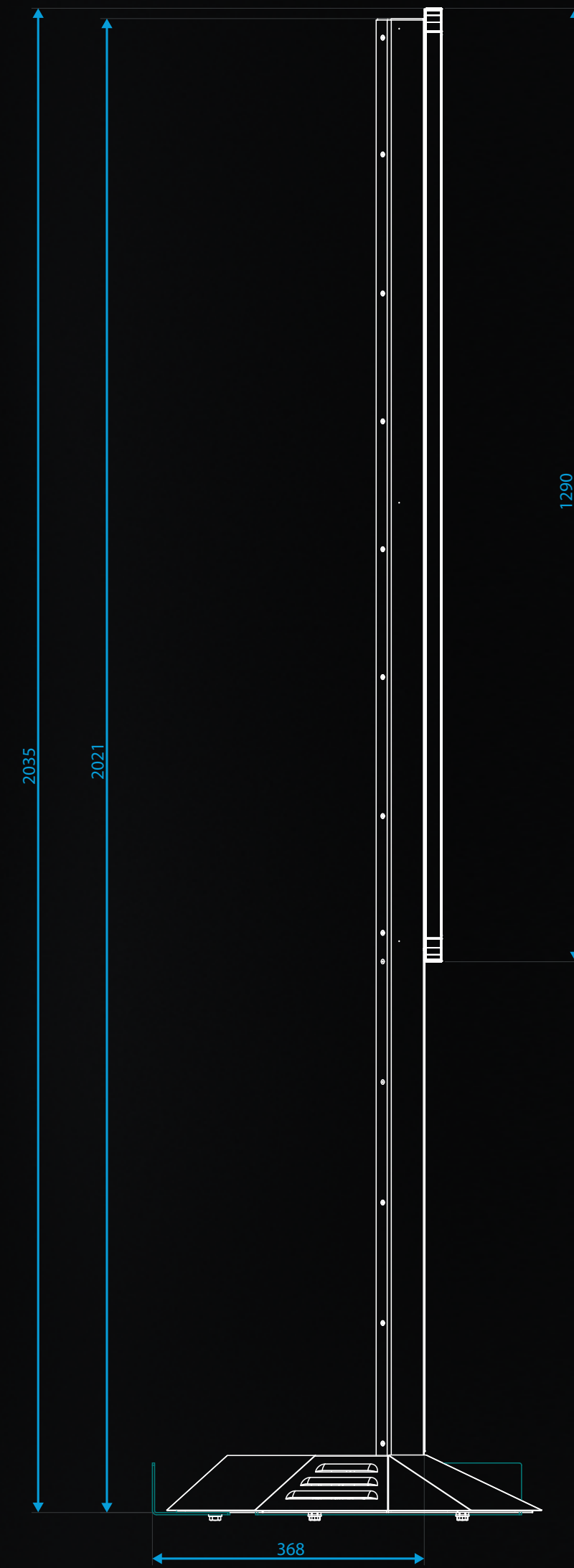
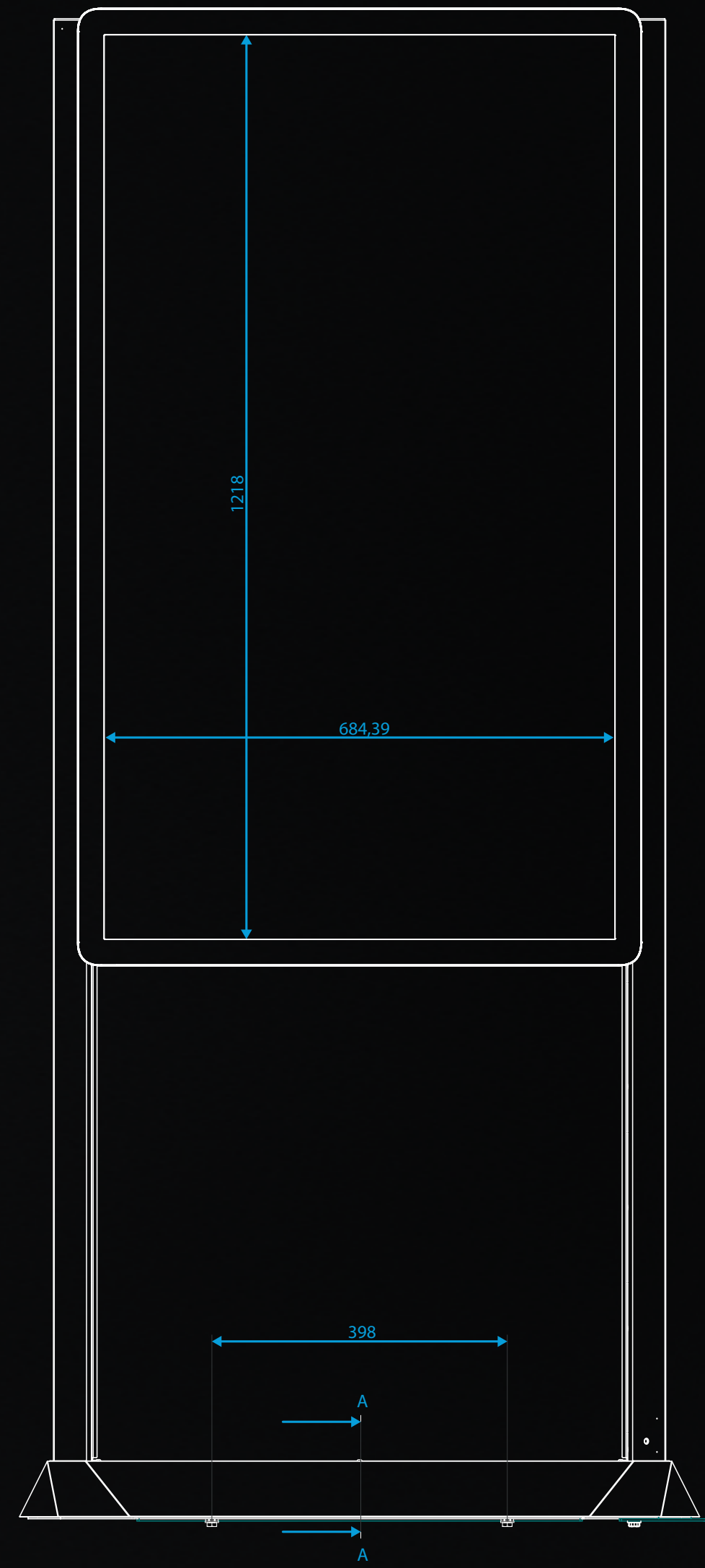
SPECIFICATIONS

Specifications	Crystal Screen T-OLED
AMOLED Panel	
Resolution	1080 x 1920
Aspect Ratio	9 x 16
Screen Size	55"
Pixel Pitch	0.64mm
Viewing Angle	180°
Color Gamut	100% NTSC
# of Display Colors	1.07 Billion (10 bits)
Connectivity	
Inputs	HDMI 1.4 (external Player) RJ45 -LAN (internal Player) 2 x USB 3.0 (internal Player)
Outputs	HDMI 2.0 (internal Player) Touch (external Player) Camera (optional - external Player)
Control Elements	Remote Control, OSD-Keypad
Mechanical	
Aktive Screen	678.4 x 1208 mm
System Dimensions (cm)	
Total	91.6 x 203.5 x 50.7 cm
Foot	91.6 x 77.5 x 50.7 cm
Touch Display Chassis	76.0 x 129.0 x 23.6 cm
System Weight (Kg)	75
Mounting	Yes, 4 x M8
Usage	
Recommended Usage	≤ 12 Std/Day, moving image, 75 nits average luminance
Luminous Life*	30.000 hours
Power/Electrical	
Power consumption, Max	380W
Power consumption, Typ. (Video)	190 - 220W
Standby Power consumption	< 0.5W
Input Voltage	100 - 250V / 50-60Hz
Front Glass	
Glass Type	toughened safety glass
Touch	
Touch Technology	IR
Supporting OS	Windows 7, 8, 10, Mac OSX and Linux
Detectable Touch Points	10
Min detectable Object	1.5mm
Touch Sample Rate	up to 250 fps
Environmental	
Storage temperature	-20 to 60
Operating temperature	0 to 35
Integrated PC	
Operating System	Windows 10
CPU/Chipset	Intel Skylake Core i5-6400T (quad-core, 2.2 GHz, up to 2.8 GHz)
System Memory	8 GB DDR3L-1600
Graphics	NVIDIA GeForce® GTX 960 - 1280 CUDA Cores / 3GB GDDR5 memory / 192-bit
USB Ports	2 x USB 3.0
Storage	Samsung SSD 750 Evo 2,5 120GB SATA III (6 Gb/s)
LAN/RJ45	10/100/1000 Mbps operation - supports IEEE 802.3
WiFi/Bluetooth	802.11ac WiFi & Bluetooth 4.0
Audio	Stereo analog Audio output and Microphone input - Loss-less Bitstream via HDMI

*Time to 50% of the output brightness, at 25° C, moving image and an average luminance of 75 nits.



LINE DRAWINGS



Schnitt A-A

