

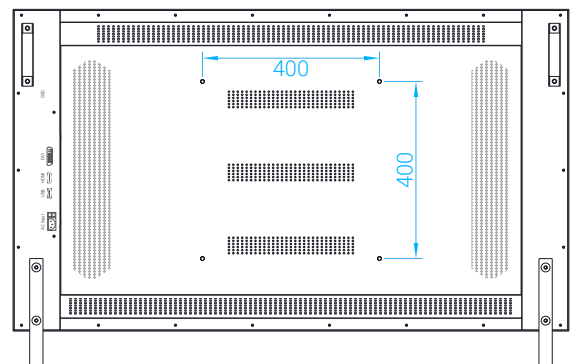
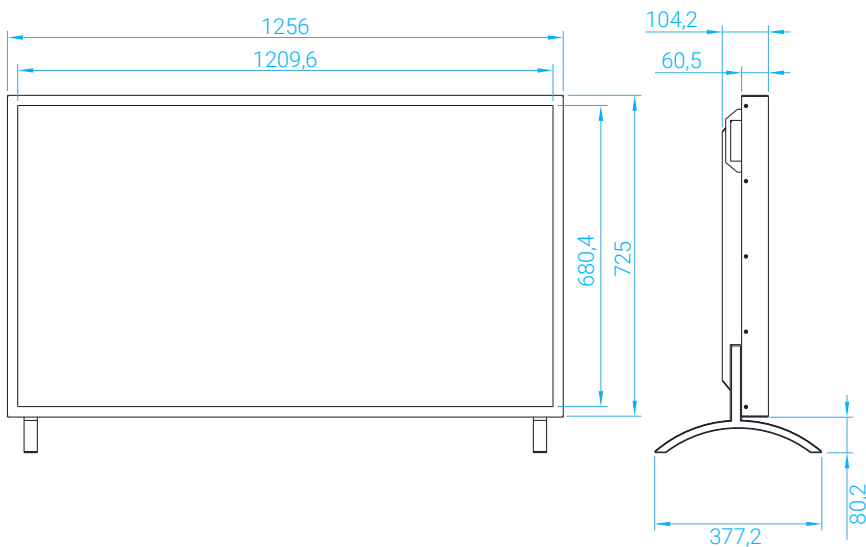
ZBOX 55" AS3D DISPLAY

ZBOX-55-L



Type	› Display
Mount	› Table Stand or VESA 400x400
Orientation	› Landscape
Housing	› Metal & Tempered Glass
Color	› Black
Screen Diagonal	› 55 inch
Resolution	› 3840x2160
Display Area	› 1210(H) x 680(V) mm
Brightness	› 400 cd/m ² (Typical)
Contrast Ratio	› 1400:1 (Typical)
Response Time	› 5 ms (Typical)

Weight	› 54 KG
View Number	› 9 views
3D Filter Type	› Lenticular
Best Viewing Distance	› 3.5m ~ 5.0m
3D viewing Angle	› ca. 120°
Power	› 100 ~ 240V AC, 50 ~60Hz
Power consumption	› 160W
I/O	› 1x HDMI 2.0, 1 x DVI
Content Format	› Multi-stream, Multi-tile, 2D+Depth, Interactive (Unity3D)



All measurements are in millimeter.
Images are simulated and for illustration purposes only.